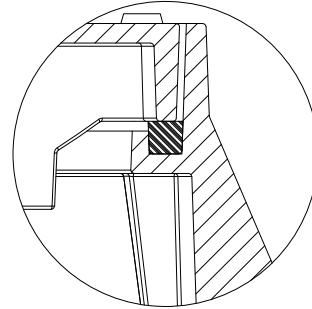
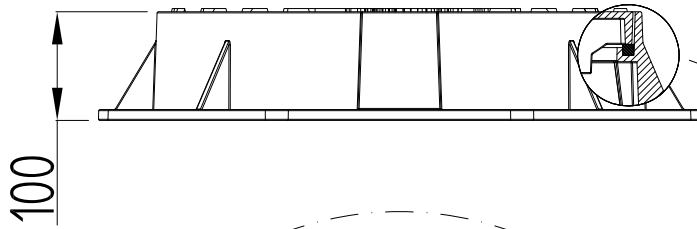


MANHOLE COVER - UNI EN 124-2 - CLASS D400

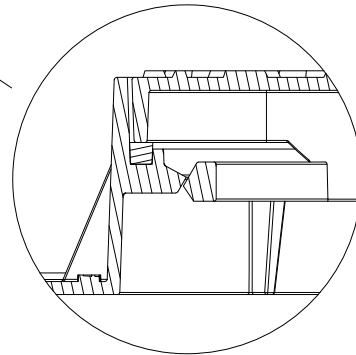
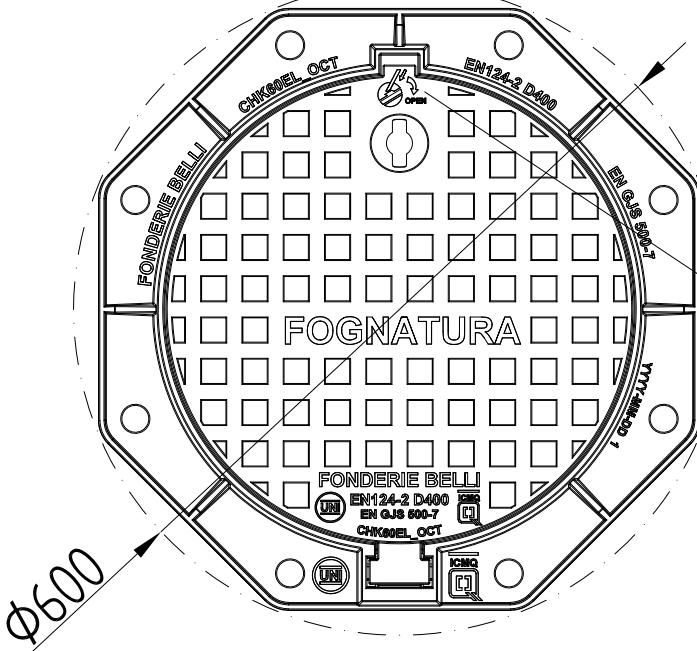
NET OPENING ϕ 400 mm

Project history:

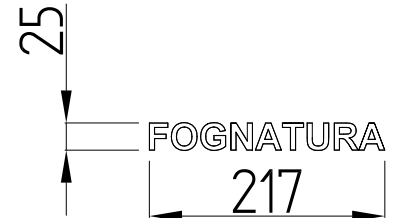
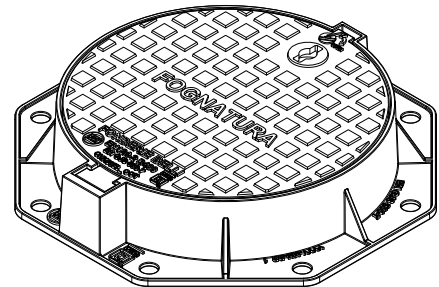
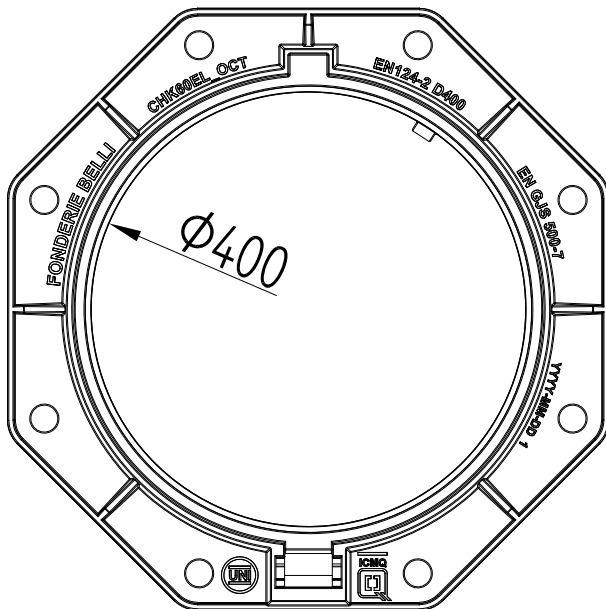
N°	Date	Revision	Design	Check	Approved
1	24/02/2021	Rev.00	ing. Gian Luca Grazini	ing. Alessandro Benedetti	Roberto Belli
2					
3					
4					



EPDM gasket between cover and frame



Elastic bar connection



FONDERIE BELLI



ALL QUOTES ARE IN mm

ARTICLE: **CHK60EL_OCT**

TITLE: Manhole cover class D400, clear opening ϕ 400 mm, hinged cover, elastic bar connection

CONSTRUCTION STANDARD:
EN 124-1
EN 124-2

Theoretical Weight [Kg]	Cover	Frame	TOT
	16,5	15	31,5

Surface coating: Bitumen paint

ID Production

Pos.	N°	Description	Standard material	Material
4				
3	1			
2	1	Frame	UNI EN 1563	Ductile iron EN-GJS-500-7
1	2	Cover	UNI EN 1563	Ductile iron EN-GJS-500-7

Copyright

This drawing has been released on condition that it will not be copied, republished or divulged by a third person if there isn't a written agreement by the author.

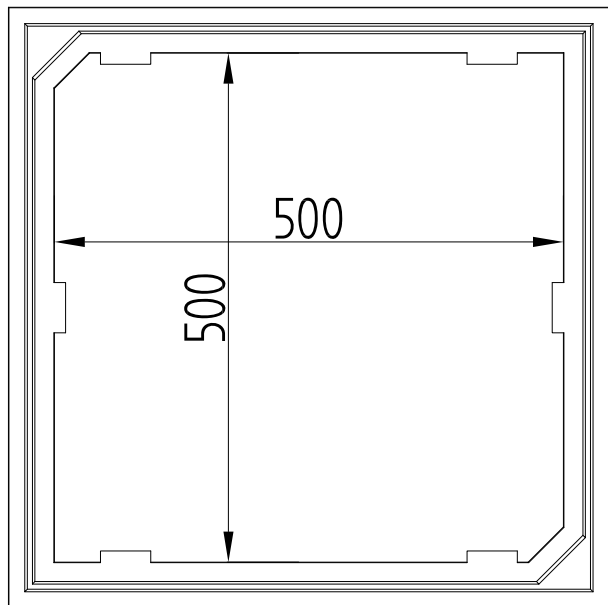
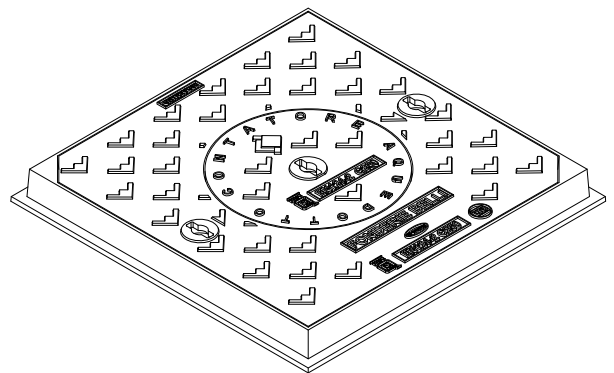
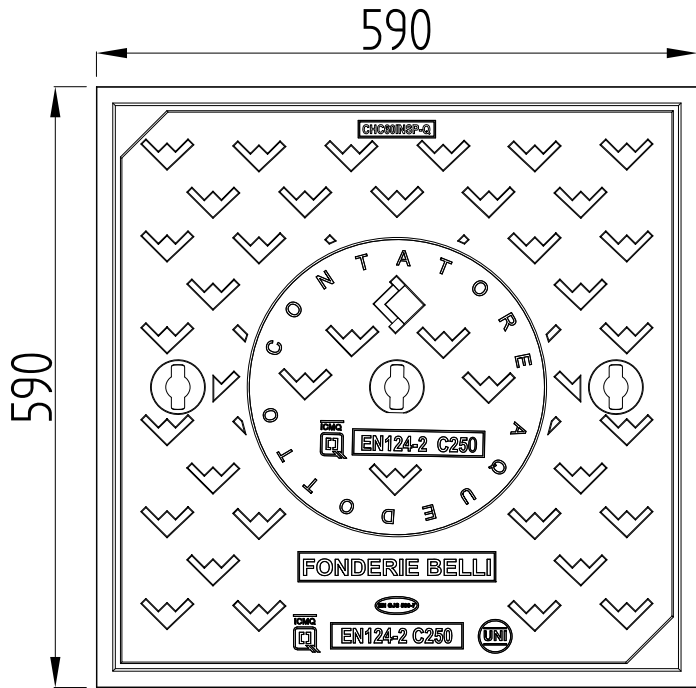
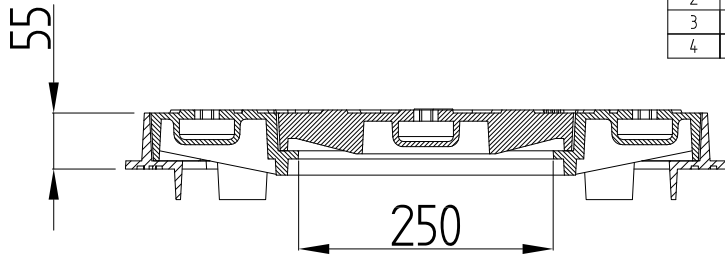
Number of drawing
[F] [B] [C] [H] [0] [0] [0]

TOLERANCE:
UNI ISO 8062 / Weight \pm 3%

File name:
CHK60EL_OCT REV.00 24-02-2021

Project history:

N°	Date	Revision	Design	Check	Approved
1	17/10/2012	Rev.00	ing. Alessandro Benedetti	ing. Alessandro Benedetti	Roberto Belli
2	13/10/2016	Rev.01	Danielle Bernini	ing. Alessandro Benedetti	Roberto Belli
3	23/06/2017	Rev.02	ing. Gian Luca Grazini	ing. Alessandro Benedetti	Roberto Belli
4	03/04/2019	Rev.03	ing. Gian Luca Grazini	ing. Alessandro Benedetti	Roberto Belli



FONDERIE BELLi



ALL QUOTES ARE IN mm

ARTICLE: **CHC60 INSP_Q**

TITLE: Manhole cover class C250, clear opening 500x500 mm

CONSTRUCTION STANDARD: EN 124-2

Theoretical Weight [Kg]	Cover 1	Cover 2	Frame	TOT
	26	7,5	12,5	47

Surface coating: water based bitument paint

ID Production

Pos.	N°	Description	Standard material	Material
4				
3	1	Frame	UNI EN 1563	Ductile iron EN-GJS-500-7
2	1	Cover 2	UNI EN 1563	Ductile iron EN-GJS-500-7
1	1	Cover 1	UNI EN 1563	Ductile iron EN-GJS-500-7

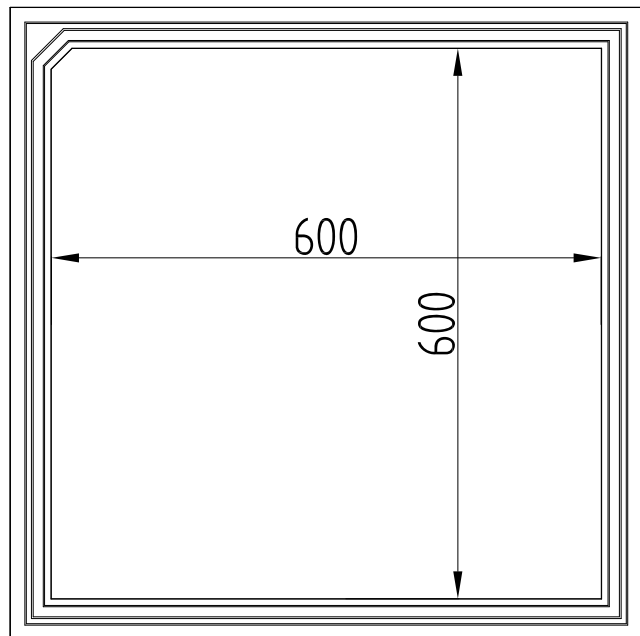
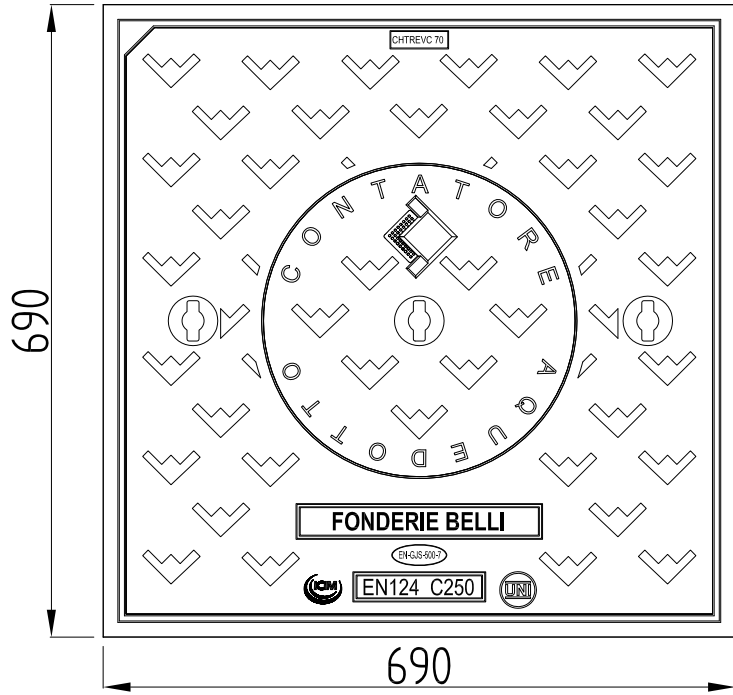
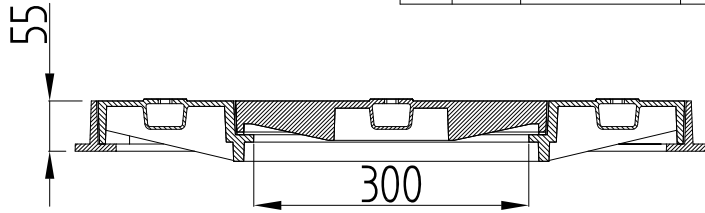
Copyright
This drawing has been released on condition that it will not be copied, republished or divulged by a third person if there isn't a written agreement by the author.

Number of drawing: [F][B][C][H][1][6][3]
TOLERANCE: UNI ISO 8062 / weight ±3%

File name: EHC60 INSP_Q Rev.03 03-04-2019 circular hatch

Project history:

N°	Date	Revision	Design	Check	Approved
1	11/12/2007	Rev.01	ing. Alessandro Benedetti	ing. Alessandro Benedetti	Roberto Belli
2	16/07/2008	Rev.02 logo UNI	ing. Alessandro Benedetti	ing. Alessandro Benedetti	Roberto Belli
3	19/01/2009	Rev.03 new Logo	ing. Alessandro Benedetti	ing. Alessandro Benedetti	Roberto Belli
4	18/01/2010	Rev.04 new cover	ing. Alessandro Benedetti	ing. Alessandro Benedetti	Roberto Belli
5	13/03/2013	Rev.05 <small>new key hole DI - new UNI logo - new pic</small>	ing. Gian Luca Grazini	ing. Alessandro Benedetti	Roberto Belli



FONDERIE BELLI



ALL QUOTES ARE IN mm

ARTICLE: **CHTREV70**

TITLE: Manhole cover class C250, clear opening 600x600 mm

CONSTRUCTION STANDARD: EN 124:94

Theoretical Weight [Kg]

Cover 1	Cover 2	Frame	TOT
33	9	15	57

Surface coating: Bitumen paint

ID Production

Pos.	N°	Description	Standard material	Material
4				
3	1	Frame	UNI EN 1563	Ductile iron EN-GJS-500-7
2	1	Cover 2	UNI EN 1563	Ductile iron EN-GJS-500-7
1	1	Cover 1	UNI EN 1563	Ductile iron EN-GJS-500-7

Copyright
This drawing has been released on condition that it will not be copied, republished or divulged by a third party without the written agreement of the society.

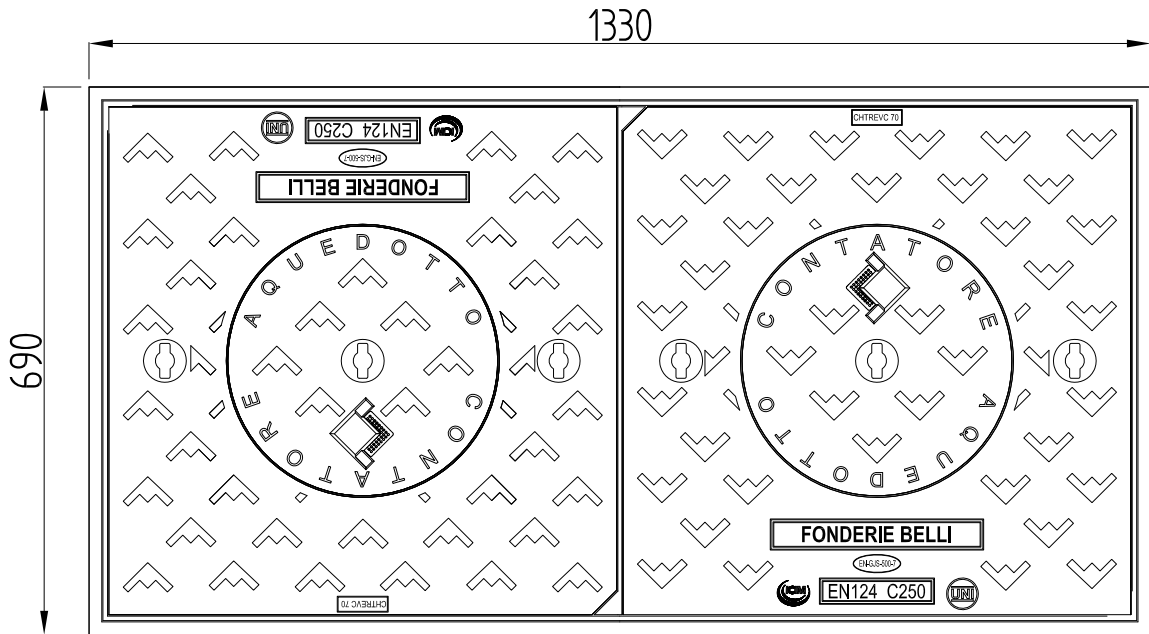
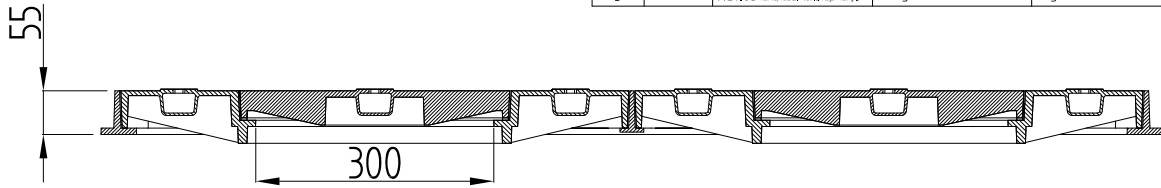
Number of drawing
F B C H O 6 4

TOLERANCE:
UNI EN ISO 8062 - weight ±3%

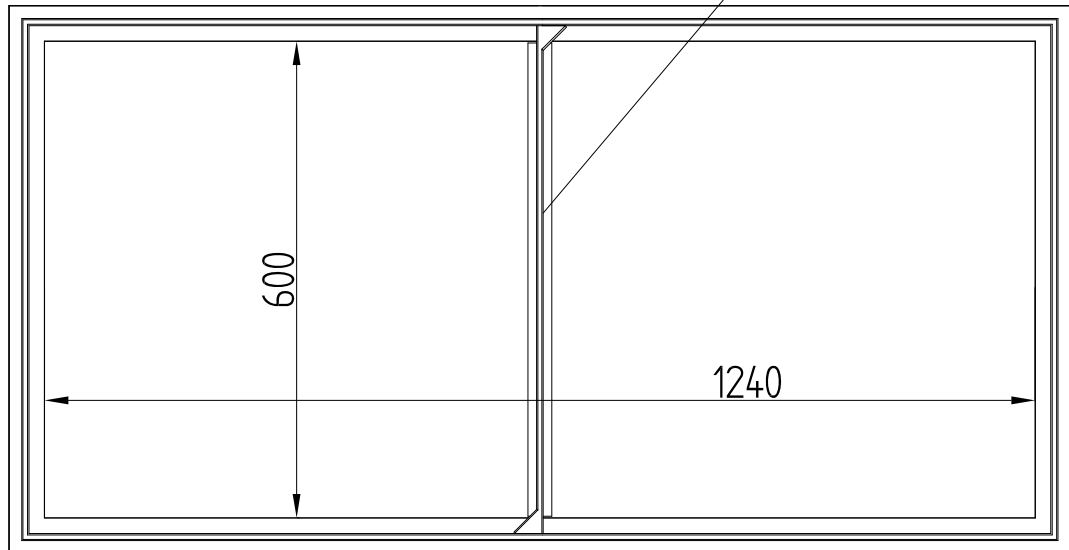
File name:
CHTREV70 Rev.05 13-03-2013 new key hole DI - new UNI logo - new pic

Project history:

N°	Date	Revision	Design	Check	Approved
1	11/12/2007	Rev.01	ing. Alessandro Benedetti	ing. Alessandro Benedetti	Roberto Belli
2	16/07/2008	Rev.02 logo UNI	ing. Alessandro Benedetti	ing. Alessandro Benedetti	Roberto Belli
3	19/01/2009	Rev.03 new Logo	ing. Alessandro Benedetti	ing. Alessandro Benedetti	Roberto Belli
4	18/01/2010	Rev.04 new cover	ing. Alessandro Benedetti	ing. Alessandro Benedetti	Roberto Belli
5	13/03/2013	Rev.05 new key hole EN - new UNI logo - new UNI	ing. Gian Luca Grazini	ing. Alessandro Benedetti	Roberto Belli



Barra rimovibile



FONDERIE BELLI



ALL QUOTES ARE IN mm

ARTICLE: **CH2TREV C70**

TITLE: Modular manhole cover class C250, clear opening 600x1240mm

CONSTRUCTION STANDARD: EN 124:94

Number of drawing: **F B C H O 6 4**

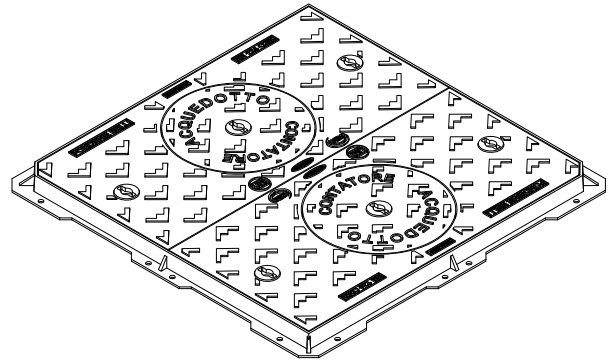
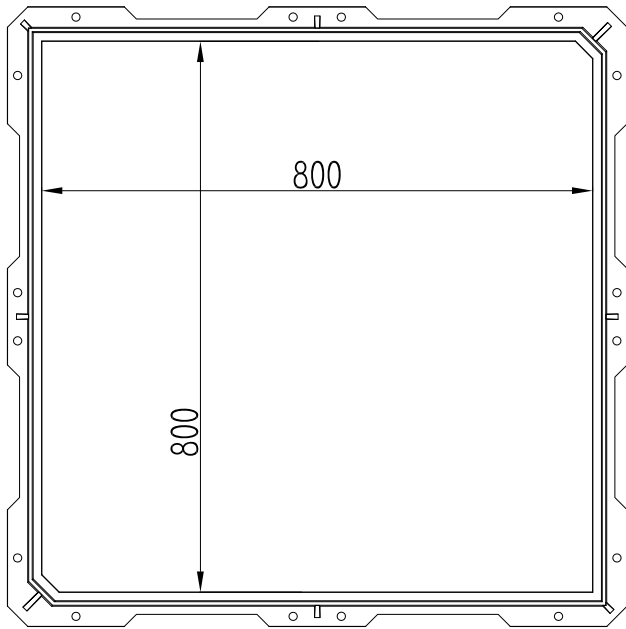
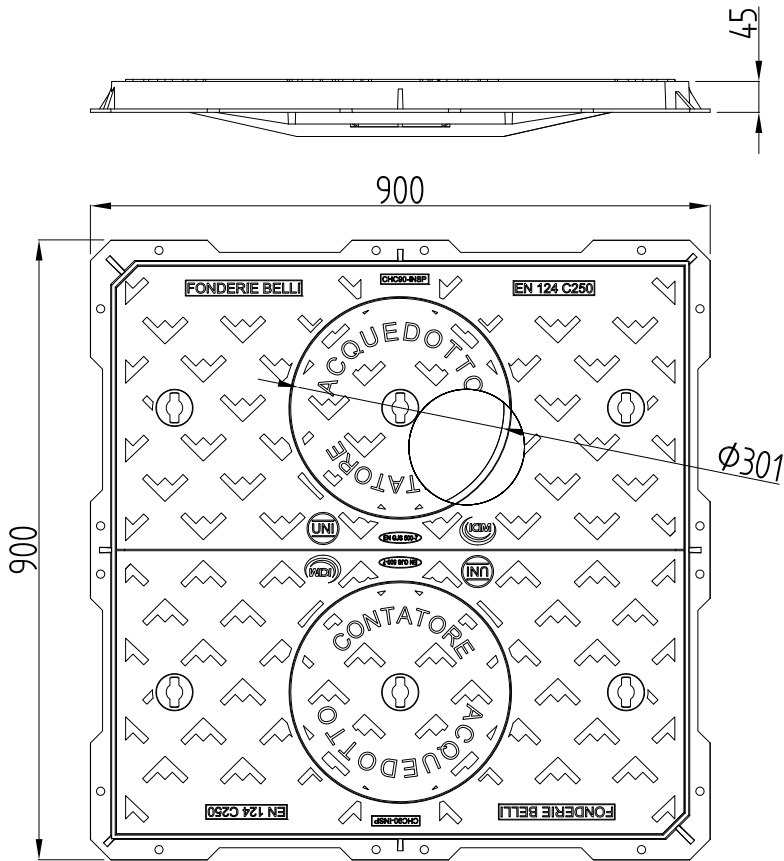
TOLERANCE: UNI EN ISO 8062 - weight ±3%

File name: CH2TREV C70 Rev.05 13-03-2013 new key hole EN - new UNI logo - new UNI

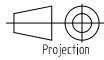
Theoretical Weight [Kg]	Cover 1	Cover 2	Frame	Removable bar	TOT
	33	9	25	2	111
Surface coating: Bitumen paint					
ID Production					
4					
3	1	Frame	UNI EN 1563	Ductile iron EN-GJS-500-7	
2	2	Cover 2	UNI EN 1563	Ductile iron EN-GJS-500-7	
1	2	Cover 1	UNI EN 1563	Ductile iron EN-GJS-500-7	
Pos.	N°	Description	Standard material	Material	

Project history:

N°	Date	Revision	Design	Check	Approved
1	17/02/2016	Rev.00	ing. Gian Luca Grazini	ing. Alessandro Benedetti	Roberto Belli
2					
3					
4					



FONDERIE BELLI



ALL QUOTES ARE IN mm

ARTICLE: **CHC90-INSP**

TITLE: Manhole cover class C250 with double inspection hatch
 Ø301 mm, clear opening 800x800 mm,

CONSTRUCTION STANDARD:
EN 124:94

Number of drawing
F B C H 1 5 9

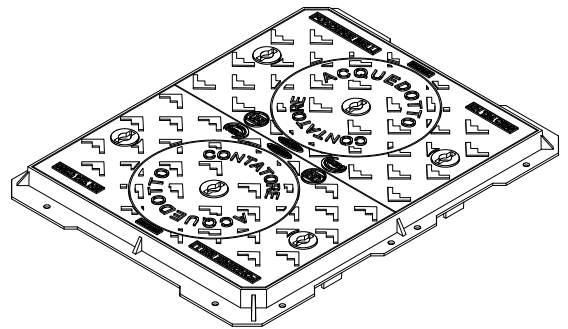
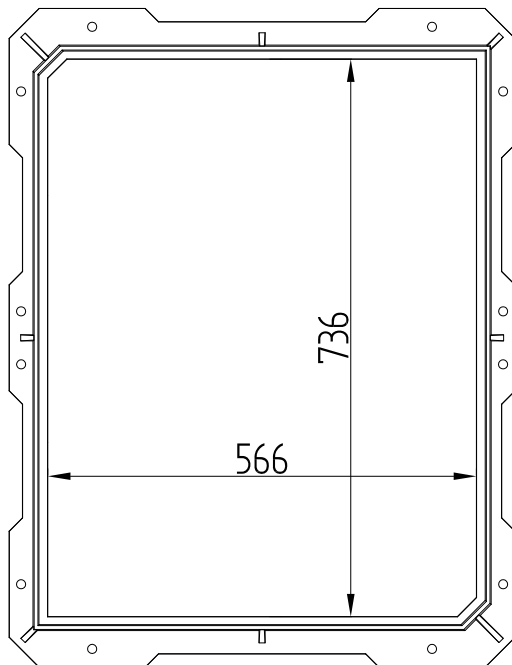
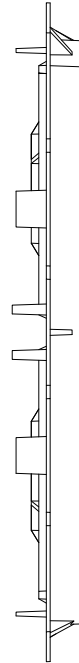
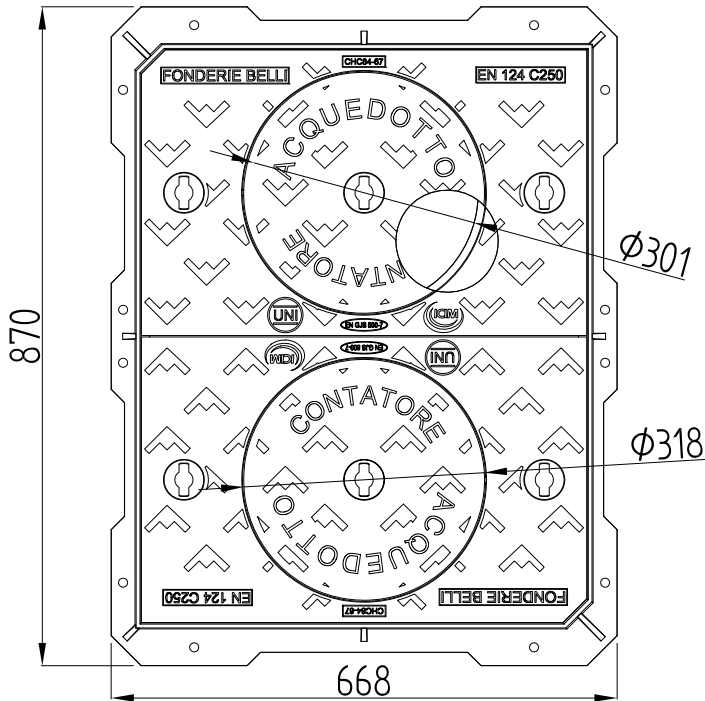
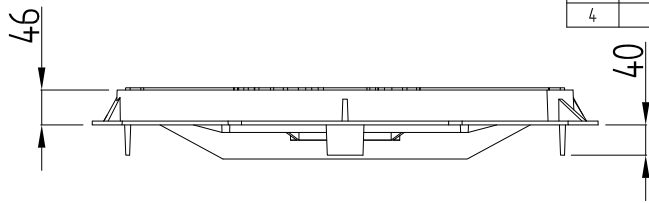
TOLERANCE:
 UNI EN 8062 / weight ±3%

File name:
 CHC90-INSP Rev.00 17-02-2016

Theoretical Weight [Kg]	Cover 1	Cover 2	Frame	TOT
	29	8	13	87
Surface coating: Bitumen paint				
ID Production				
4	1	Removable bar	UNI EN 1563	Ductile iron EN-GJS-500-7
3	1	Frame	UNI EN 1563	Ductile iron EN-GJS-500-7
2	2	Inspection cover	UNI EN 1563	Ductile iron EN-GJS-500-7
1	2	Cover	UNI EN 1563	Ductile iron EN-GJS-500-7
Pos.	N°	Description	Standard material	Material

Project history:

N°	Date	Revision	Design	Check	Approved
1	08/01/2016	Rev.00	ing. Gian Luca Grazini	ing. Alessandro Benedetti	Roberto Belli
2					
3					
4					



FONDERIE BELLI



ALL QUOTES ARE IN mm

ARTICLE: **CHC87-67**

TITLE: Manhole cover class C250 with double inspection hatch
 301 mm, clear opening 736x566 mm,

CONSTRUCTION STANDARD:
EN 124:94

Number of drawing

TOLERANCE:

UNI EN 8062 / weight ±3%

File name:

CHC87-67 Rev.00 08-01-2016

Theoretical Weight [Kg]

Cover 1	Cover 2	Frame	TOT
21	8	12	70

Surface coating: Bitumen paint

ID Production

4				
3	1	Frame	UNI EN 1563	Ductile iron EN-GJS-500-7
2	2	Inspection cover	UNI EN 1563	Ductile iron EN-GJS-500-7
1	2	Cover	UNI EN 1563	Ductile iron EN-GJS-500-7
Pos.	N°	Description	Standard material	Material