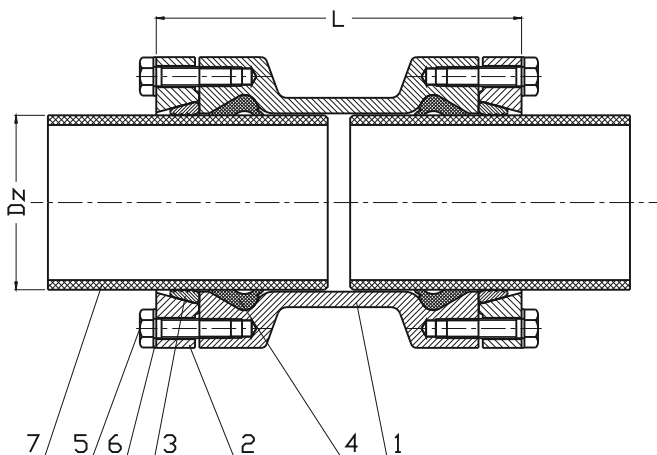


Pipe coupling for PE and PVC pipes RR type

PN10  
PN16

WATER



No.	Part	Standard execution
1	Body	Ductile cast iron EN-GJS 500-7
2	Flange	EN 1563
3	Ring	Brass CuZn39PbAl1-B EN 1982
4	Ring FORSHEDA 575	Rubber EPDM EN ISO 1629
5	Screw	Stainless steel A2 EN ISO 4017
6	Washer	Stainless steel A2 EN ISO 7091
7	Pipe	PE EN ISO 1872-1

DN	D <sub>2</sub>	L	Weight
	[mm]		[kg]
50	63	180	4,7
80	90	190	5,8
100	110	190	6,7
150	160	230	13,0
200	225	276	20,0
250	280	310	23,2
300	315	368	32,0

### Product description (standard execution):

- Flexible positioning of the pipe with a buffer zone
- The brass clamp ring hold and protect against pipe movements
- Acceptable axial deviation up to  $\pm 4^\circ$
- The tube does not move within the plant, providing a sealed connection
- EPDM sealing approved for potable water, chemically resistant and providing excellent compression and recovery to the original shape
- Sealing and strengthening kit
- The sealing and flange included as a set
- Construction pressure of 35 bars according to EN 12842. Operating pressure max 16 bar
- In case of thin-walled PVC pipes, strengthening sleeve should be used inside the pipe
- Epoxy coating minimum 250 microns according to EN ISO 12944- 5
- Face to face according to the JAFAR documentation

### Application:

Water line networks: potable water and other chemically inert fluids.  
Connectors for naked-end pipes made of PVC or PE  
Working pressure up to 1.6 MPa, temperature up to +70°C

### Test control:

Water pressure test according to EN 1074-1; EN 12266-1  
Seat: 1,1 x PN  
Body: 1,5 x PN