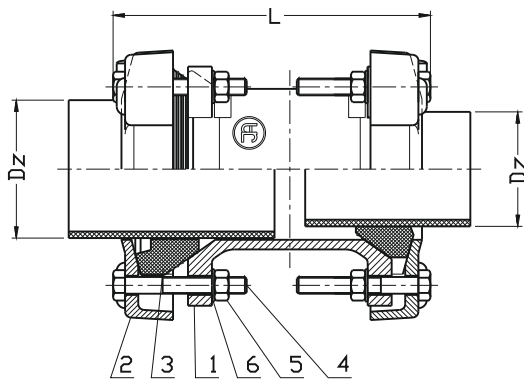


Pipe connector RR multidiameter

PN10
PN16

WATER



No.	Part	Standard execution
1	Body	Ductile cast iron EN-GJS 500-7
2	Flange	EN 1563
3	Gasket	Rubber EPDM EN-ISO1629
4	Screw	Steel Fe/Zn5 Stainless steel A2 EN ISO 4017
5	Nut	Steel Fe/Zn5 Stainless steel A4 EN ISO 4032
6	Washer	Steel Fe/Zn5 Stainless steel A2 EN ISO 7091

DN	D ₂	L	Weight
	[mm]		[kg]
50	40-75	280	8,5
60 / 65	60-95	300	8,0
80	80-115	300	11,5
100	105-135	300	13,8
125	130-165	340	15,5
150	155-195	340	16,8
175	190-230	340	21,0
200	215-258	340	23,0
225	240-280	360	27,0
250	235-275 / 270-310	360	26,0 / 29,0
300	310-350 / 350-390	370	33,0 / 36,0
350	350-390 / 395-435	370	39
400	395-435 / 435-470 / 470-505	370	43,0 / 45,0
500	505-540 / 540-575 / 575-610	370	50,0 / 70,0 / 74,0
600	610-645 / 645-680 / 680-715	370	58,0 / 81,0 / 82,0
700	710-745	370	86,0
800	810-845	370	95,0

Product description (standard execution):

- Flexible positioning of the pipe with a buffer zone
- Body and the flange made of ductile cast iron EN-GJS 500-7
- The shape of the gasket enables easy installation of pipes without beveling, range
- The gasket provide easy seating into connector and make provision for good contact to a pipe even in places with minor defects, irregularities or corrosion pits
- Galvanized or stainless steel screws
- Epoxy coating resistant of UV, minimum 250 microns according to EN ISO 12944-5
- Product marking according to EN 19; EN 1074

Application:

Water line networks: potable water and other chemically inert fluids. Connection of straight naked-end pipes made of cast iron, asbestos-cement or PVC. Working pressure up to 1.6 MPa, temperature up to +70°C

Test control:

Water pressure test according to EN 1074-1; EN 12266-1
Seat: 1,1 xPN
Body: 1,5 x PN

We reserve the rights to modify the production program and the given data without separate notices due to the permanent company development